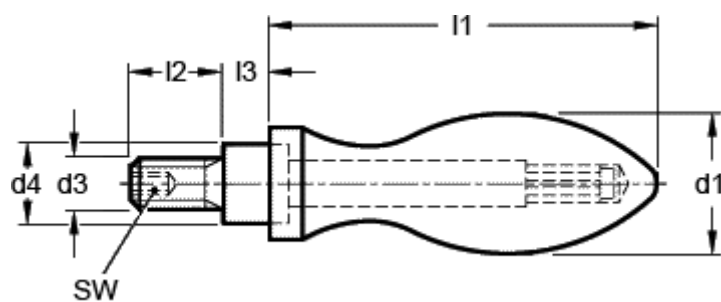


Article number: 20110020

Description: E+G Revolving handle
DIN 98-ST-20-E

Measures



$d1$	= 20
$d3$	= M8
$d4$ h13	= 13
$l1$ approx.	= 61
$l2$	= 13
$l3$	= 6.0
SW	= 4